

- default  
e)

vn (1µA, typical)  
default  
cted - default

× × ×

× × ×

× × ×

ring the second byte of a  
/tes are transmitted before  
be written into the selected  
mming of these bytes into

1, it will not acknowledge  
s a flag to determine when  
address with the write bit  
l it does get pulled low in  
nt repeatedly and the ACK  
ny bytes can take place as  
time to expire.

multaneously with the sin-  
DP condition is received by  
ull eight addresses are con-  
EEPROM's internal address  
te command sequence. For  
mand is B'00010110' and

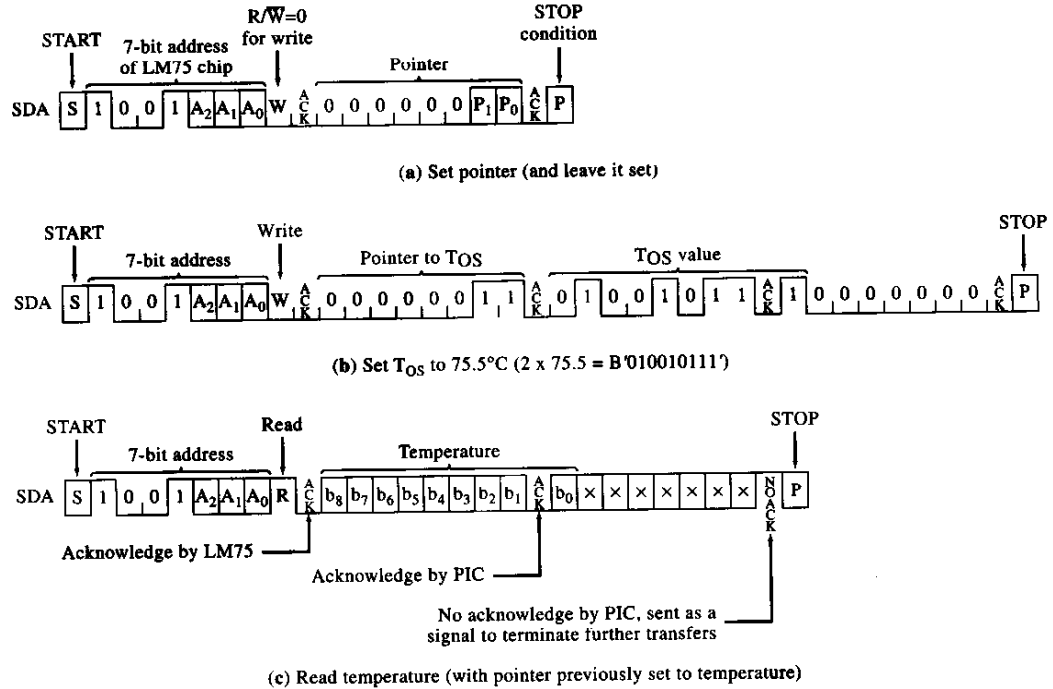


Figure 9-14 LM75 message strings.

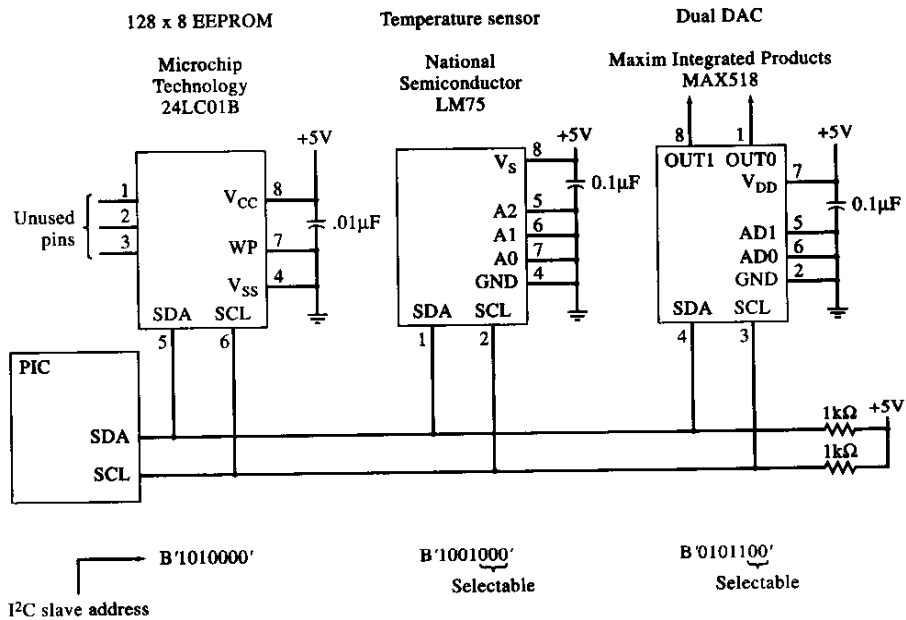


Figure 9-15 I<sup>2</sup>C bus connection to EEPROM chip and to other devices.