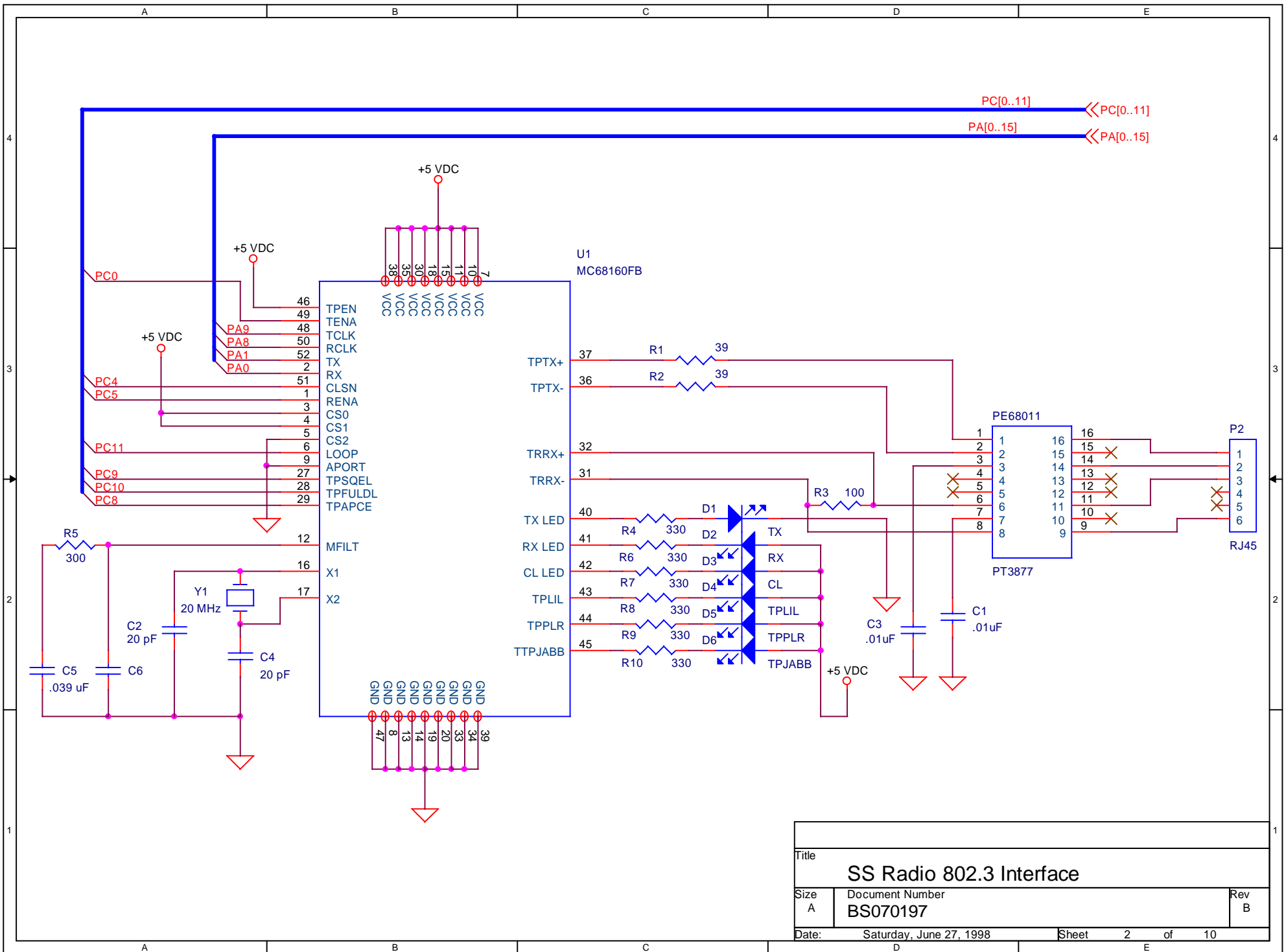


Title		
Binary Interface		
Size	Document Number	Rev
A	BS073097	A
Date:	Saturday, June 27, 1998	Sheet 1 of 10



Title		
<b>SS Radio 802.3 Interface</b>		
Size A	Document Number <b>BS070197</b>	Rev B
Date:	Saturday, June 27, 1998	Sheet 2 of 10

A

B

C

D

E

4

4

3

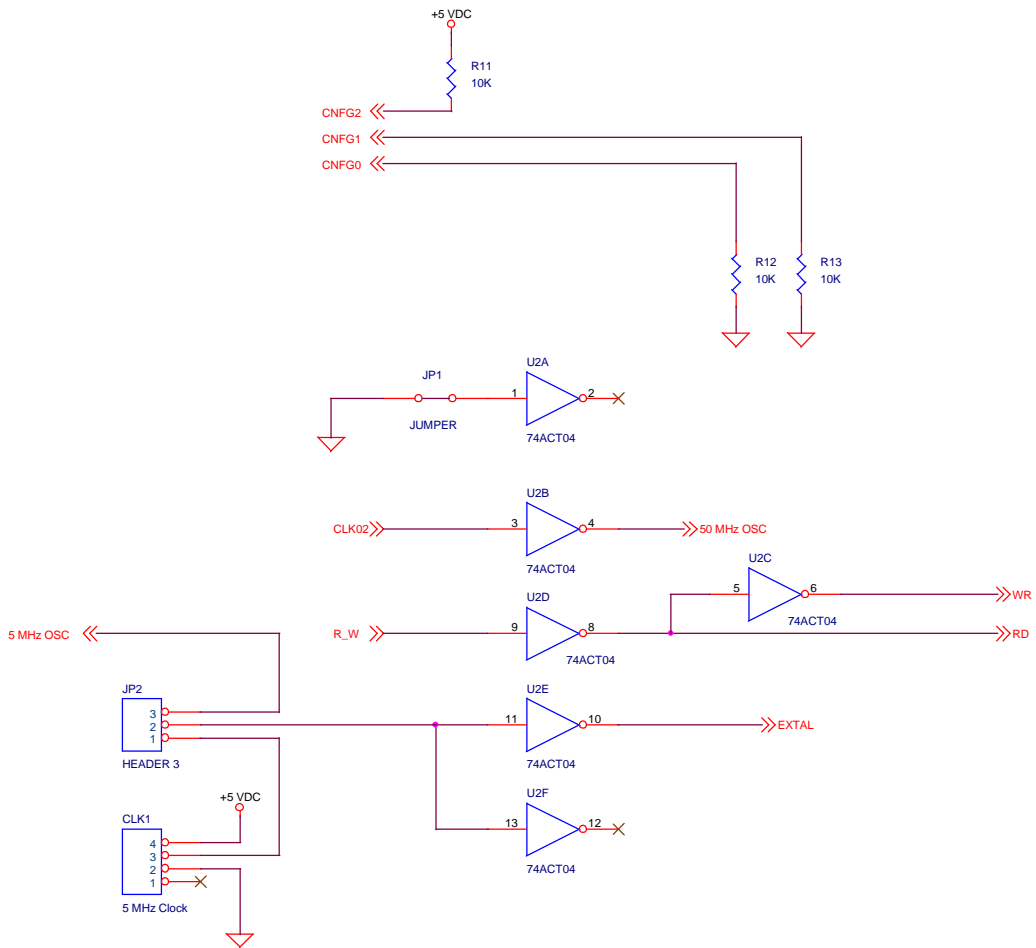
3

2

2

1

1



Title		
SS Radio Data Bus Control and Clock Conditioning		
Size B	Document Number BS070597	Rev A
Date: Saturday, June 27, 1998	Sheet 3 of 10	

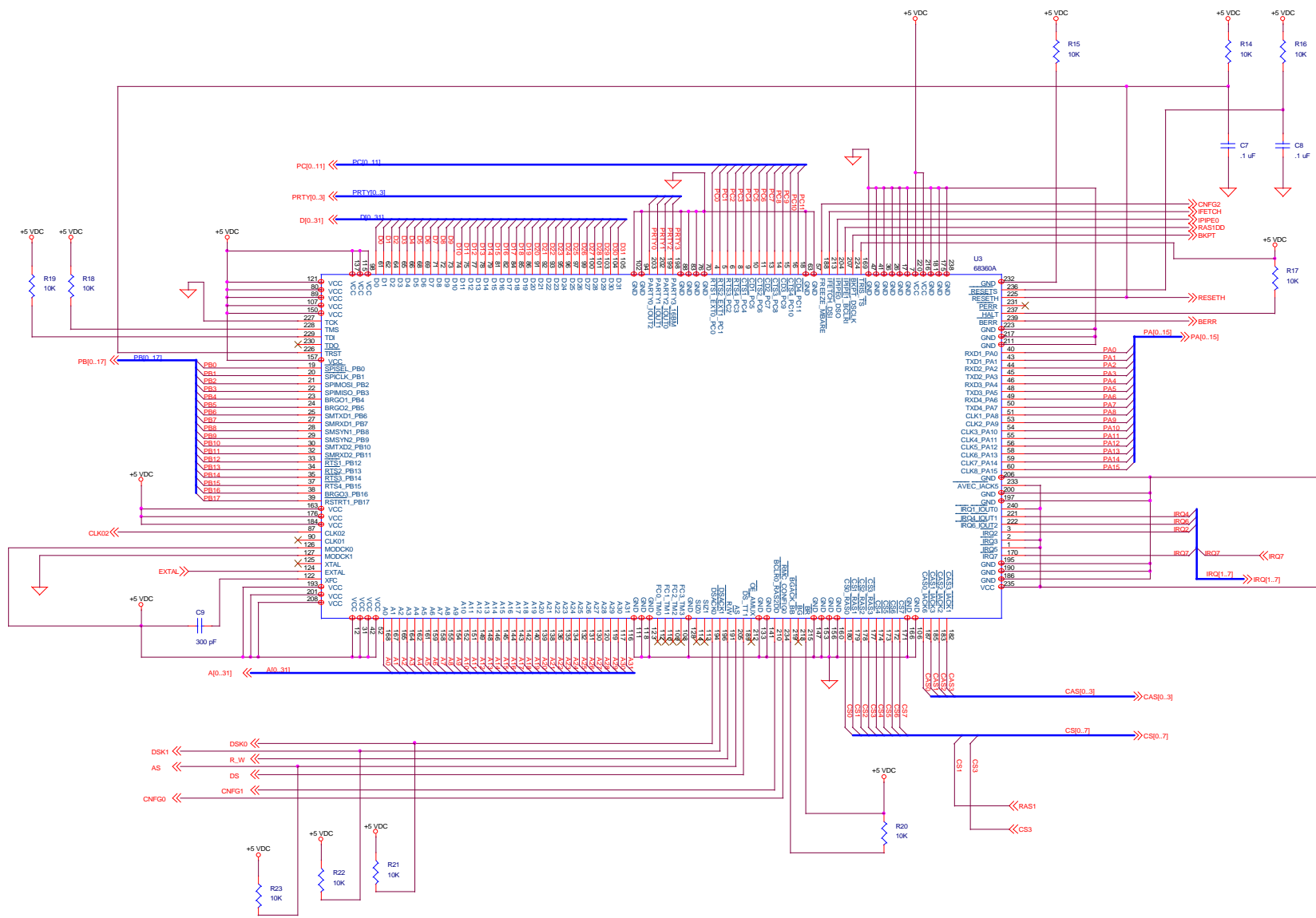
A

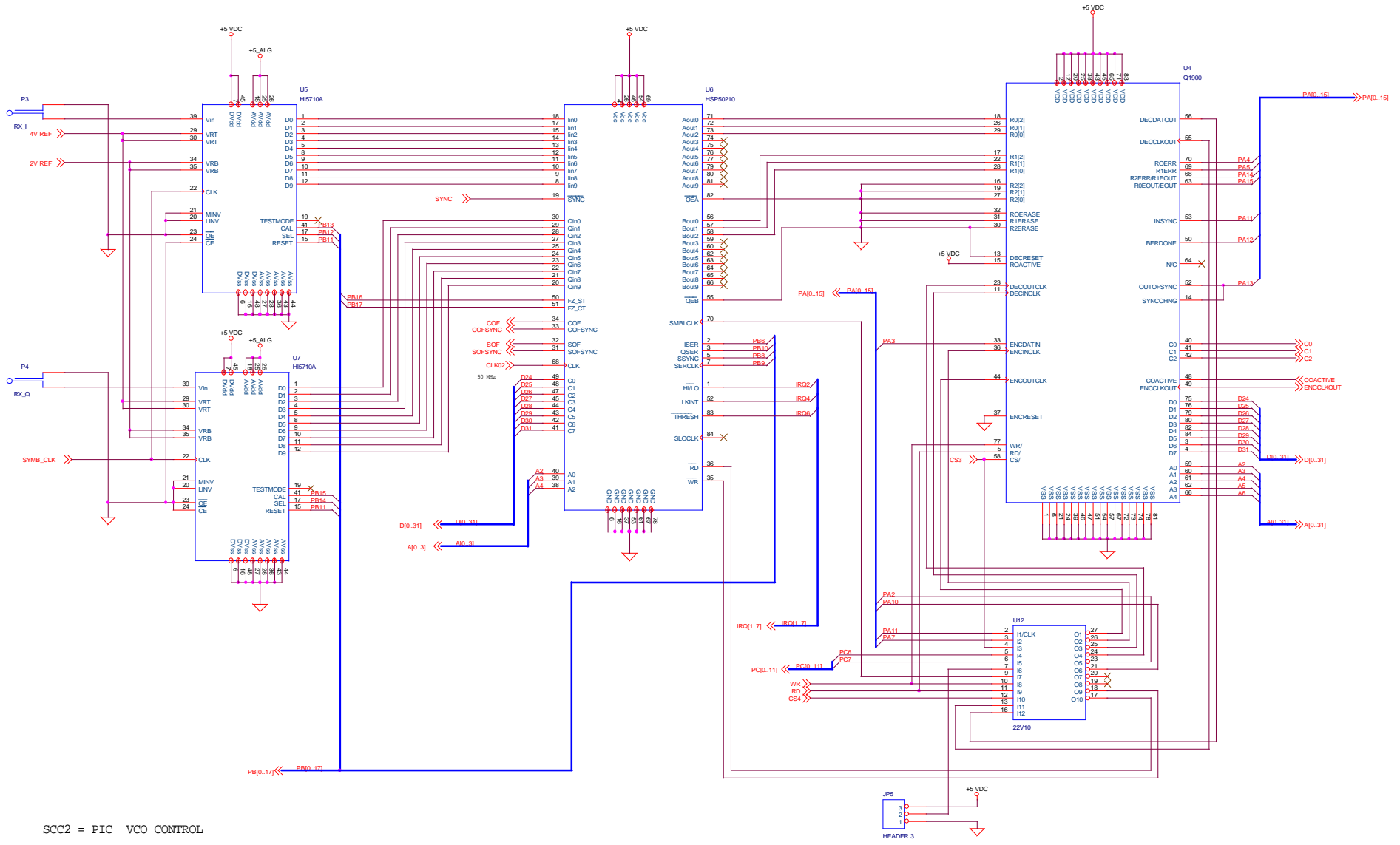
B

C

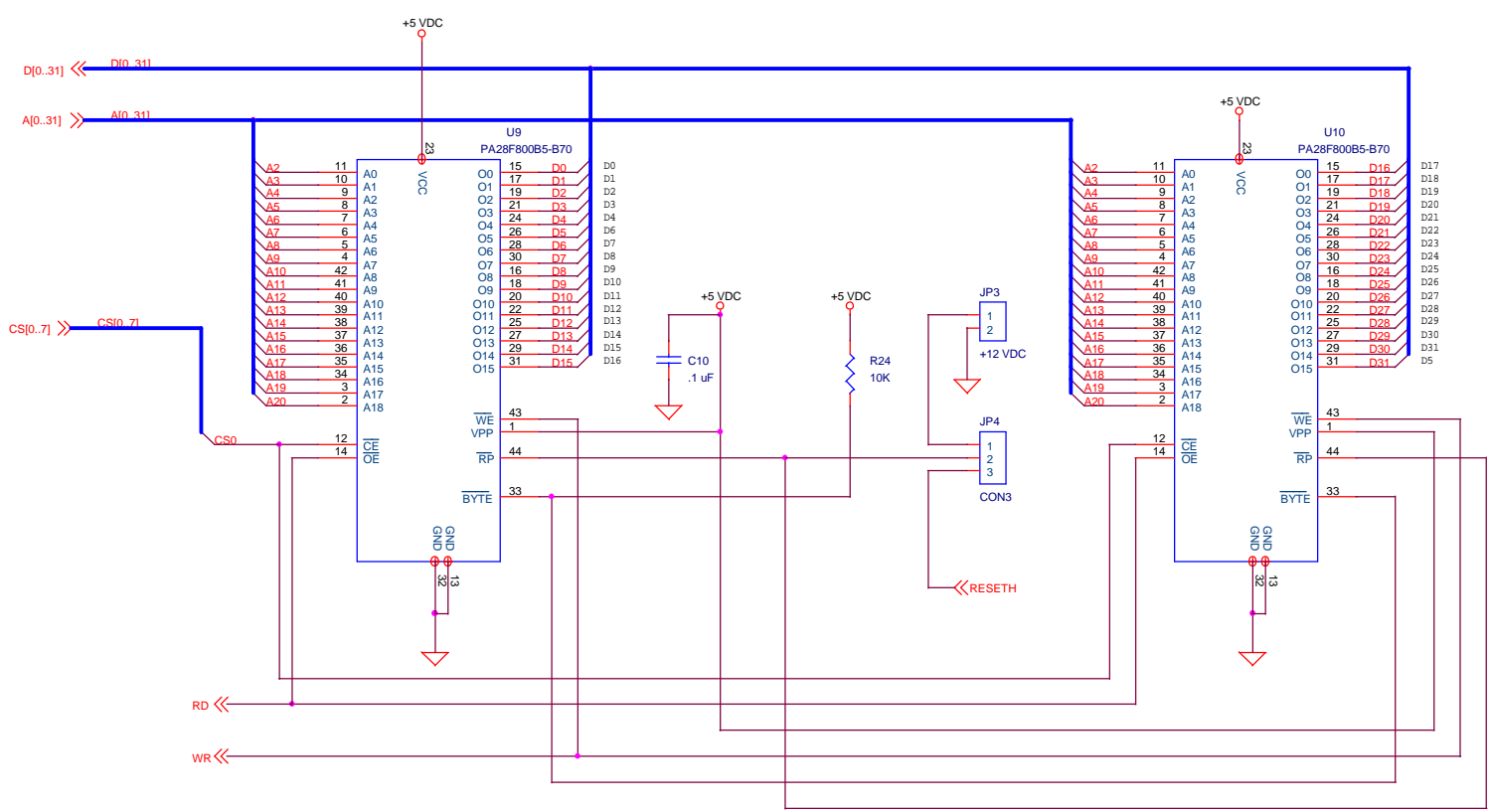
D

E

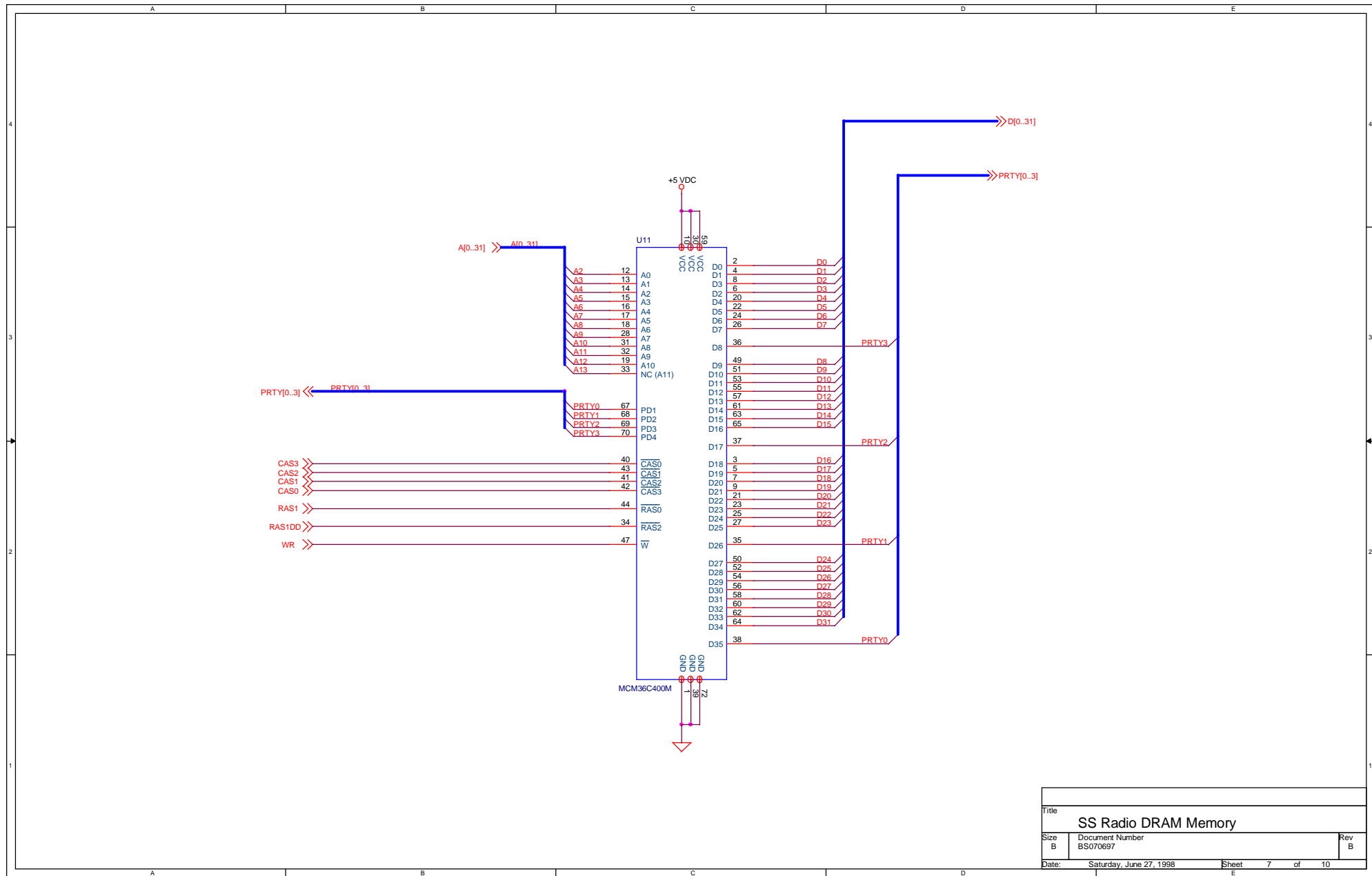




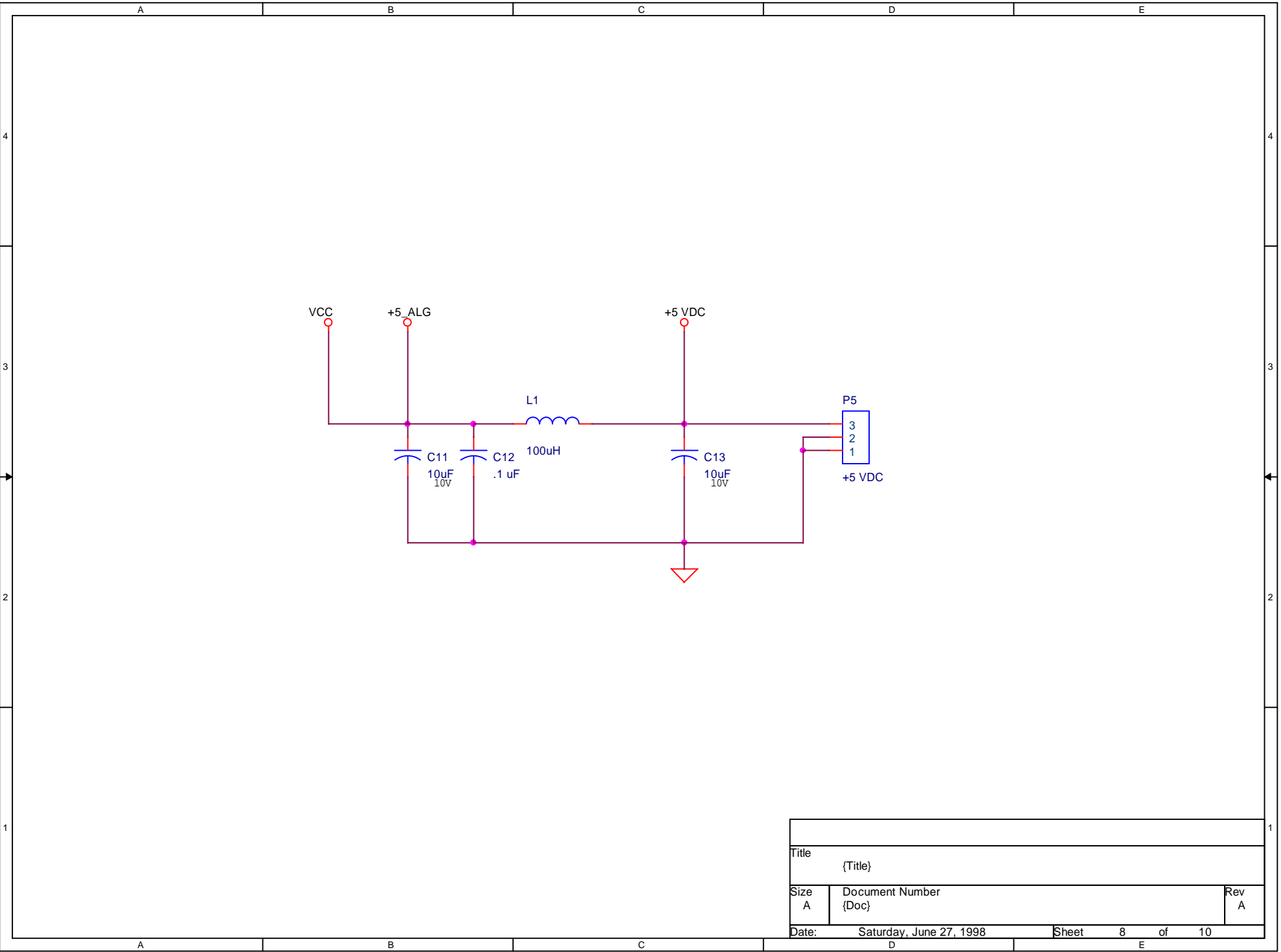
SCC2 = PIC VCO CONTROL  
 SCC3 = Q1900 SS DATA IO



Title		
SS Radio Flash Memory		
Size	Document Number	Rev
B	BS070197	B
Date:	Saturday, June 27, 1998	Sheet 6 of 10

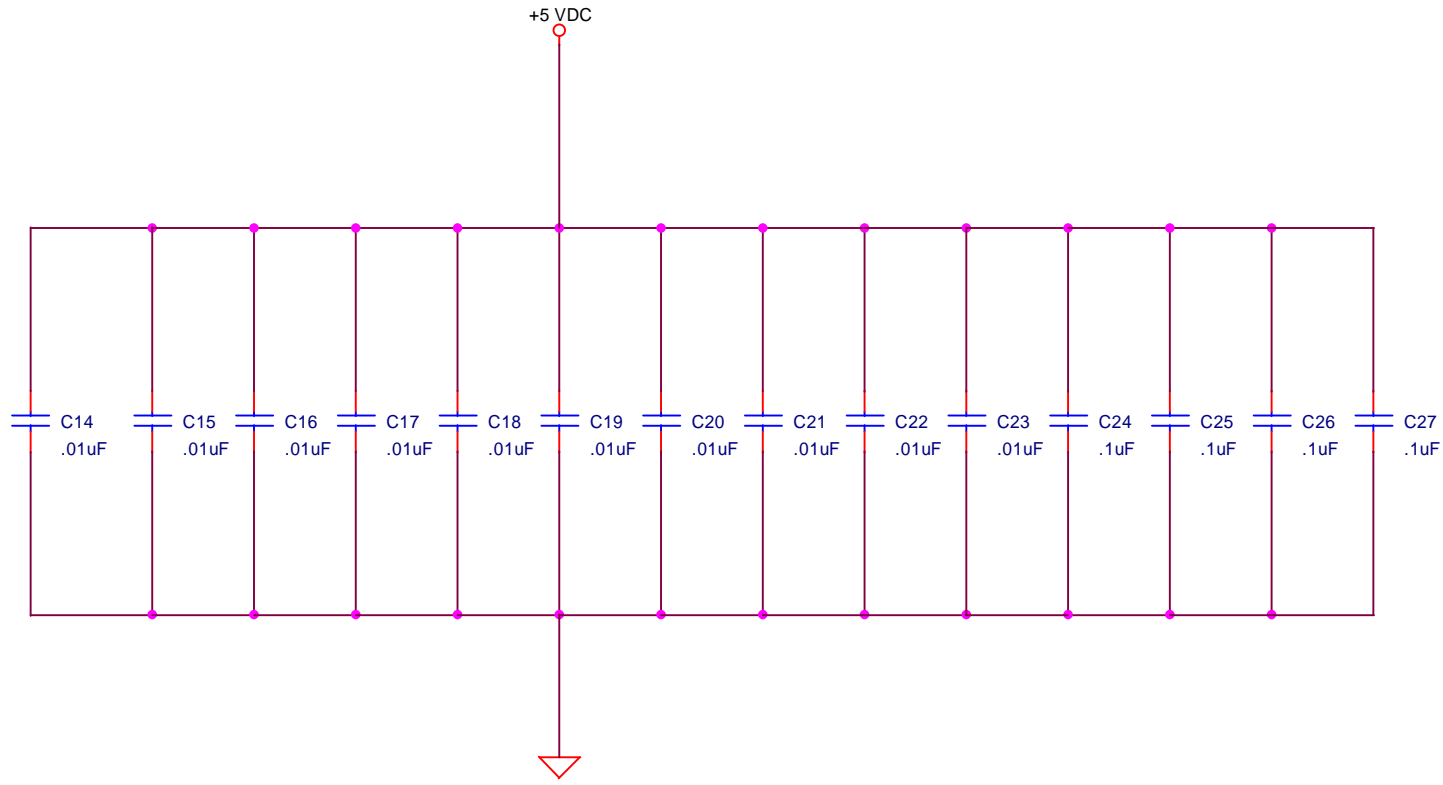


Title		
SS Radio DRAM Memory		
Size	Document Number	Rev
B	BS070697	B
Date:	Saturday, June 27, 1998	Sheet 7 of 10

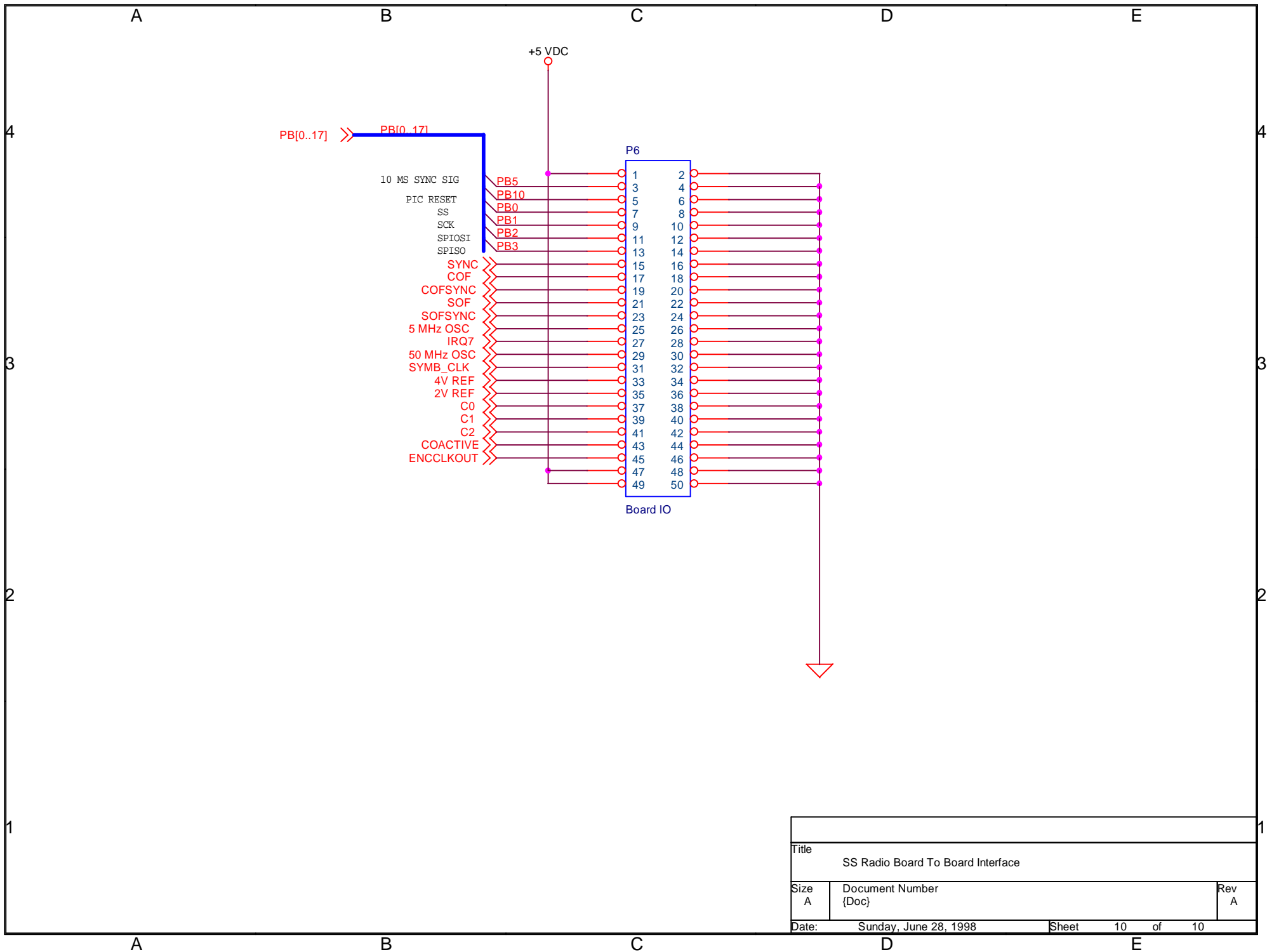


Title		
{Title}		
Size	Document Number	Rev
A	{Doc}	A
Date:	Saturday, June 27, 1998	Sheet 8 of 10





Title		
SS Radio Bypass Cap Digital Board		
Size	Document Number	Rev
A	BS070197	A
Date:	Saturday, June 27, 1998	Sheet 9 of 10



Title		
SS Radio Board To Board Interface		
Size	Document Number	Rev
A	{Doc}	A
Date:	Sunday, June 28, 1998	Sheet 10 of 10